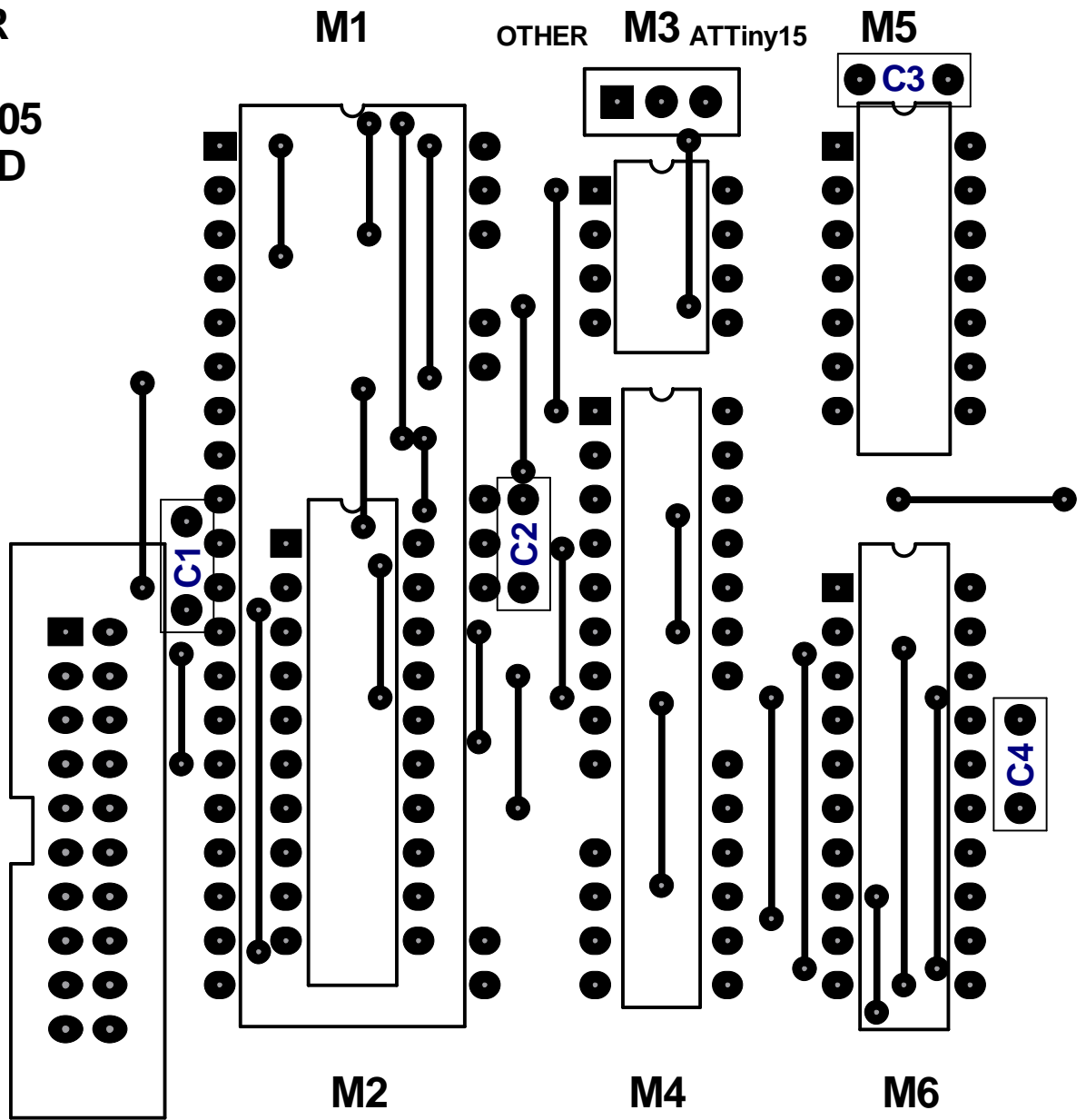


**ADAPTER
FOR
HVProg_v05
MODIFIED**



M1	M2	M3	M4	M5	M6
ATmega16	ATiny2313	ATTiny11	ATmega8	ATTiny24	ATTiny26
ATmega163		ATTiny12	ATmega48	ATTiny44	ATiny261
ATmega164		ATTiny13	ATmega88	ATTiny84	ATiny461
ATmega32		ATTiny15	ATmega168		
ATmega323		ATTiny22	ATiny28		
ATmega324		ATTiny25	ATiny48		
ATmega644		ATTiny45	ATiny88		
ATmga1284		ATTiny85			
ATmega8535					

C1 - C5 = 0,1 uF